

KOMATSU

PC18MR-3



Compact hydraulic excavator

Bucket width
300mm GP

Engine power
11.2 kW

Dig depth
2,410mm

Operating weight
1,855 kg

PC18MR-3

Engine power

11.2 kW

Bucket width

300mm GP

Operating weight

1,855 kg

Dig depth

2,410mm

Performance and Versatility

- Standard auxiliary hydraulics
- Two track options: rubber, steel
- Automatic two-speed travel
- ISO/SAE pattern change valve
- Expandable undercarriage: 980 mm 3'3" to 1300 mm 4'3"

Operator Comfort

- Large operator platform
- Adjustable suspension seat
- Pilot proportional joystick controls
- Easy entry and egress
- Low noise

Service and Maintenance

- Wide opening engine hood and side covers
- Side-by-side radiator and oil cooler are easily inspected
- Grease points for work equipment are on the same side of the boom and arm
- Tilt-forward operator's station provides full access to engine and hydraulic components
- Hydraulic hoses are alpha-numerically marked or color coded making them easy to identify

KOMTRAX

KOMTRAX equipped machines can send location, SMR and operation maps to a secure website utilising wireless technology.



Compact hydraulic excavator

Walk-Around



Value, Durability, and Strength

- KOMTRAX® wireless equipment monitoring system
- Castings are used for boom foot, tip, and swing yoke
- Large diameter swing pin
- O-ring face seal hydraulic fittings
- Moisture/dust resistant electrical connectors
- Hydraulic lines are routed through boom for protection

Peace of Mind

- Two-post ROPS canopy
- Neutral engine start system
- Excellent visibility enhances job site awareness
- Low emission Komatsu engine with dual element air cleaner
- One key operates the ignition and all machine locks

Compact hydraulic excavator

Operator environment



Operator Station

- Spacious canopy with unobstructed floor provides the operator with ample leg room
- Folding travel pedals
- Two-post ROPS canopy provides unequalled visibility
- Fully adjustable suspension seat reduces operator fatigue
- PPC joystick controls are low effort and provide fine control
- Gauges and indicator lights are easy to read



Features



Large Diameter Swing Pin

Has high durability and maintains suitable clearances between pin and bushing after long-term operation.



Pattern Change Valve

Whether you are comfortable with ISO or SAE, you can easily change from one to the other.



Excellent Visibility

The operator's station design allows the operator to maintain a 360° field of view.



Neutral Engine Start System

Locks out drives and hydraulics during machine start up.



Wide Opening Engine Hood and Side Covers

Allow easy access for daily checks and regular maintenance.



Expandable Undercarriage

980 mm **3'3"** to 1300 mm **4'3"**



Tilt-Up Operator Compartment

The operator compartment tilts forward for easy access to hydraulic and engine components.



Manual Selector Valve

Allows the operator to switch between one-way (Breaker) and two-way auxiliary hydraulic flow (Thumb).



Tight Tail Swing

The operator can focus more on the work in front and worry less about rear swing clearance, even in confined areas, with only an 80 mm 3.1" projection over the tracks.

Extended Maintenance Intervals

Lubricate swing circle	500 hrs
Lubricate work equipment	500 hrs
Replace engine oil and filter	500 hrs

Fuel filter	500 hrs
Hydraulic filter	1000 hrs

Specifications

Engine

Model	Komatsu 3D67E-2
Type	Swirl chamber
Piston displacement	0.778 ltr
Engine power	
Net (ISO 9249/SAE J1349)	11.2 kW @ 2,600 rpm

Electrical system

Operating voltage	12V
Battery	41Ah
Alternator	40A
Starter	1.2 kW

Hydraulic system

Type	HydrauMind
Main pump	
Type	Variable displacement x 1 Gear x 1
Maximum oil flow	41.6 x 1 + 12.7 ltr/min
Hydraulic motor	
Travel	Variable displacement x 2
Swing	Fixed displacement x 1
Maximum pressure setting	235 kg/cm ²
Auxiliary flow	35 ltr/min

Performance

travel speed	
High	4.3 km/hr
Low	2.3 km/hr
Swing speed	8.9 rpm
Ground pressure	0.32 kg/cm ²
Maximum drawbar pull	1,700 kg
Gradeability	30°
Bucket digging force (ISO)	1,620 kg
Arm crowd force (ISO)	1,010 kg

Drives and brakes

Drive method	Hydrostatic
Type of travel brake	Hydraulic lock
Type of travel shoe	Rubber

Undercarriage

Adjustment of the track tension	Grease gun
Number of track rollers (each side)	3

Refill capacities

Fuel tank	19 ltr
Hydraulic tank	15.2 ltr
Engine	3.3 ltr
Coolant	3.1 ltr

Operating weight (approximate)

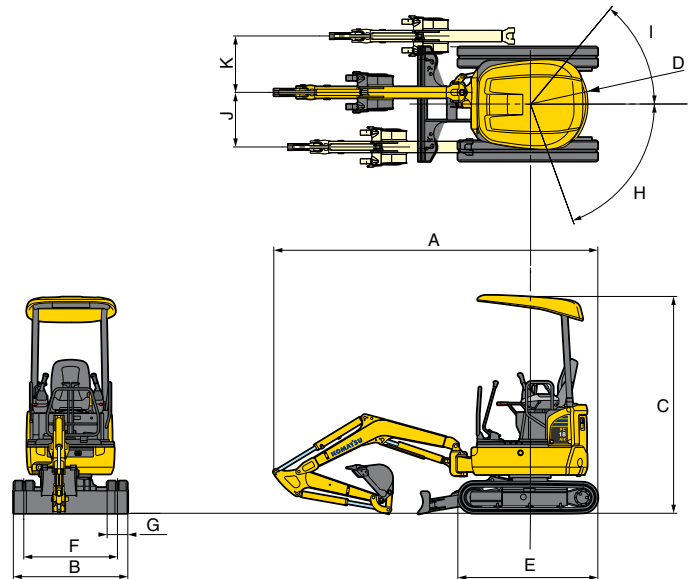
Operating weight (with ROPS canopy and rubber shoe)	1,855 kg
-----------------------------------------------------	----------

Blade

Width (adjustable) x height	980 to 1,300 x 250 mm
-----------------------------	-----------------------

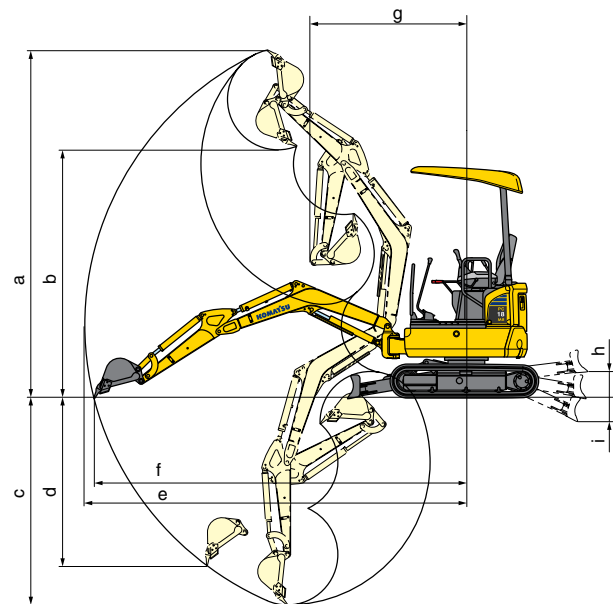
Machine dimensions

A	Overall length	3,650 mm
B	Overall width	980 - 1,300 mm
C	Overall height	2,410 mm
D	Tail swing radius	715 mm
E	Crawler length	1,555 mm
F	Track gauge	750 - 1,070 mm
G	Track shoe width	230 mm
H/I	Boom swing angle	Left 70°/Right 50°
J/K	Bucket offset	LH 465 mm/RH 785 mm



Working range

a	Maximum digging height	3,820 mm
b	Maximum dumping height	2,815 mm
c	Maximum digging depth	2,410 mm
d	Maximum vertical digging depth	2,000 mm
e	Maximum digging reach	4,270 mm
f	Maximum digging reach at ground level	4,190 mm
g	Minimum swing radius (when boom swing)	1,770 mm (1,435 mm)
h	Maximum blade lift	280 mm
i	Maximum blade depth	255 mm



Lifting capacity

Blade on ground (with additional counterweight (X-weight) for PC18MR-3 and PC20MR-3)

	Arm length 1,215 mm	2m		3m		Maximum		
		Front	Side	Front	Side	Front	Side	
PC18MR-3	965m	3m				*355	*355	
		2m			*310	235	*315	215
		1m	*650	420	*365	230	*320	180
		0	*805	395	*410	220	*335	185
	-1m	*635	400			*340	245	
	280 mm	0m	*795	390	*400	215	*300	165

*Load is limited by hydraulic capacity rather than tipping. Rated loads do not exceed 87% of hydraulic capacity or 75% of tipping load.

Standard and optional equipment

Standard equipment

- | | | |
|------------------------------------------------|---------------------------------------------------------|------------------------|
| • Air cleaner, dual element | • KOMTRAX® | • Travel alarm |
| • Automatic two-speed travel control | • Pattern change valve | • Travel pedals |
| • Auxiliary hydraulics with selector valve | • Rearview mirrors | • Two-post ROPS canopy |
| • Backfill blade, adjustable width | • Rubber track | |
| • Expandable undercarriage: 980 mm to 1,300 mm | • Suspension seat with 50 mm wide retractable seat belt | |
-

Optional equipment

- | | |
|-------------------------------|-------------------------------|
| • 76 mm retractable seat belt | • Steel track |
| • Additional work light | • Wide variety of attachments |
-

Product designs, specifications and/or data in this document are provided for informational purposes only and are not warranties of any kind. Product designs and/or specifications may be changed at any time without notice. The only warranties that apply to sales of products and services are Komatsu's standard written warranties, which will be furnished upon request.

Komatsu and other trademarks and service marks used herein are the property of Komatsu Ltd., Komatsu Australia Pty Ltd., Komatsu America Corp., Komatsu Mining Corp., or one of their affiliates, or the respective owners or licensees.

KOMATSU

[komatsu.com.au](https://www.komatsu.com.au)

